

## DS-2CC52H1T-FITS

### 5 MP IR TurboHD Indoor Fisheye Camera



Hikvision's 5 MP IR TurboHD Indoor Fisheye Camera is an analog HD-TVI fisheye lens camera that provides a number of virtual PTZ and panoramic views, including 360 degree views, for maximum scene coverage with audio support. Up-the-Coax using HIKVISION-C protocol is supported for easy PTZ control.

#### Available Models:

DS-2CC52H1T-FITS

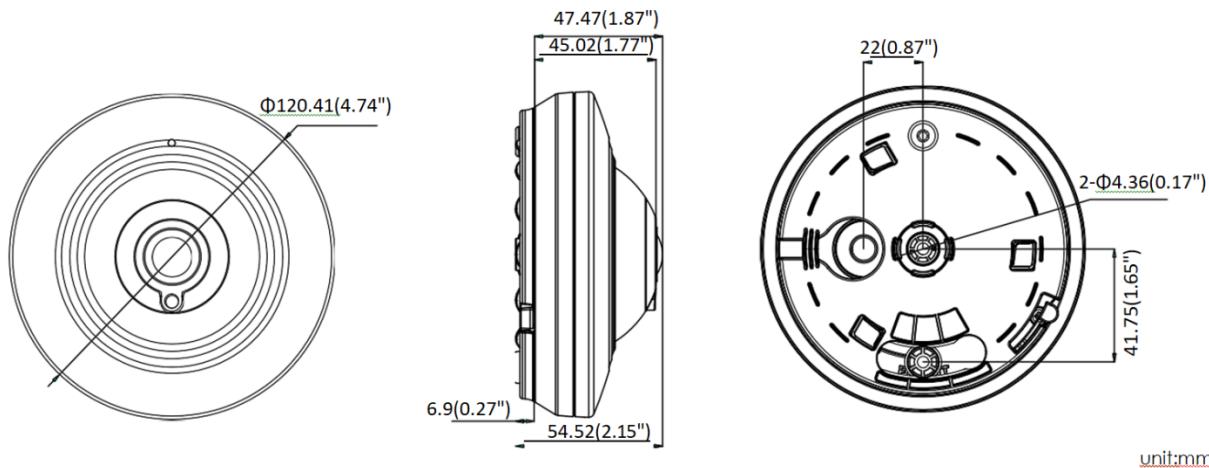
- 5 Megapixel High-Performance CMOS
- Analog HD Output
- IR Cut Filter with Auto Switch
- OSD Menu
- Built-In Microphone
- Up-the-Coax, Protocol: HIKVISION-C



# Specifications

DS-2CC52H1T-FITS	
<b>Camera</b>	
Image Sensor	5 MP progressive scan CMOS
Effective Pixels	2592 (H) x 1944 (V)
Minimum Illumination	0.01 lux @ f/1.2, AGC on, 0 lux with IR
Shutter Speed	1/12.5s to 1/20,000s
Lens	1.1 mm
Lens Mount	M12
Day /Night	ICR
Angle Adjustment	Pan: 0° to 30°; tilt: 0°; rotate: 0°
Synchronization	Internal synchronization
Video Frame Rate	5 MP @ 12.5 fps
HD Video Output	1-ch BNC output
Audio In	Built-in mic
Audio Out	1-ch, BNC output, (output impedance: 1K Ω)
<b>Menu</b>	
Mounting Type	Ceiling/wall
Ceiling Mounting Display Mode	Default, panorama, 4 PTZ, fisheye and 3 PTZ, annular, mini-fisheye and 1 PTZ, annular and 2 PTZ
Wall Mounting Display Mode	Default, panorama, 4 PTZ, fisheye and 3 PTZ, panorama and 3 PTZ
D/N Mode	Color/BW/auto
Functions	Brightness, contrast, saturation, sharpness
<b>General</b>	
Operating Conditions	-4° to 140° F (-20° to 60° C), humidity 90% or less (non-condensing)
Power Supply	12 VDC ±15%
Power Consumption	5.5 W maximum
IR Range	32.81' to 65.6' (10 to 20 m)
Communication	Up-the-coax, protocol: HIKVISION-C
Dimensions	Φ4.74"×2.14" (Φ120.4 mm × 54.5 mm)
Weight	Approximately 0.77 lb (350 g)

# Dimensions



# Accessories

