

DS-2CD2726G1-IZ(S) 2 MP IR Varifocal Dome Network Camera



Key Features

- Max. 1920 × 1080 @ 30fps
- H.265, H.264
- 120dB WDR
- Color: 0.005 Lux @ (F1.2, AGC ON), 0.007 Lux @ (F1.4, AGC ON), 0 Lux with IR
- 12 VDC & PoE (802.3af, class 3)
- IR range: Up to 30 m
- Support on-board storage, up to 128 GB
- IP67, IK10
- BLC/3D DNR/ROI



Specification

Camera	
Image Sensor	1/2.8" Progressive Scan CMOS
Min. Illumination	Color: 0.005 Lux @ (F1.2, AGC ON),0.007 Lux @ (F1.4, AGC ON), 0 Lux with IR
Shutter Speed	1/3 s to 1/100,000 s
Slow Shutter	Yes
Auto-Iris	No
Day &Night	IR cut filter
Digital Noise Reduction	3D DNR
Wide Dynamic Range	120dB
3-Axis Adjustment	Pan: 0° to 355°, tilt: 0° to 75°, rotate: 0° to 355°
Lens	
Focal length	2.8 mm to 12 mm
Aperture	F1.4
Focus	Auto
FOV	Horizontal FOV: 113° to 32°, vertical FOV: 59° to 18°, diagonal FOV: 137° to 37°
Lens Mount	Φ14
IR	
IR Range	Up to 30 m
Wavelength	850 nm
Compression Standard	
Video Compression	Main stream: H.265/H.264 Sub stream: H.265/H.264/MJPEG
H.264 Type	Main Profile/High Profile
H.265 Type	Main Profile
Video Bit Rate	32 Kbps to 16 Mbps
Smart Feature-set	
Behavior Analysis	Line crossing detection, intrusion detection, region entrance detection, region exit detection
ROI (Region of Interest)	Support 1 fixed region for main stream and sub stream separately
Image	
Max. Resolution	1920 × 1080
Main Stream	50Hz: 25fps (1920 × 1080, 1280 × 960, 1280 × 720) 60Hz: 30fps (1920 × 1080, 1280 × 960, 1280 × 720)
Sub-Stream	50Hz: 25fps (640 × 480, 640 × 360, 320 × 240) 60Hz: 30fps (640 × 480, 640 × 360, 320 × 240)
Image Enhancement	BLC/3D DNR
Image Settings	Saturation, brightness, contrast, sharpness, AGC, white balance adjustable by client software or web browser
Day/Night Switch	Day/Night/Auto/Schedule/Triggered by Alarm In(-S)
Audio (-S)	
Environment Noise Filtering	Yes
Sampling Rate	8kHz/16kHz
Audio Compression	G.711/G.722.1/G.726/MP2L2/PCM
Audio Bit Rate	64Kbps(G.711)/16Kbps(G.722.1)/16Kbps(G.726)/32-160Kbps(MP2L2)

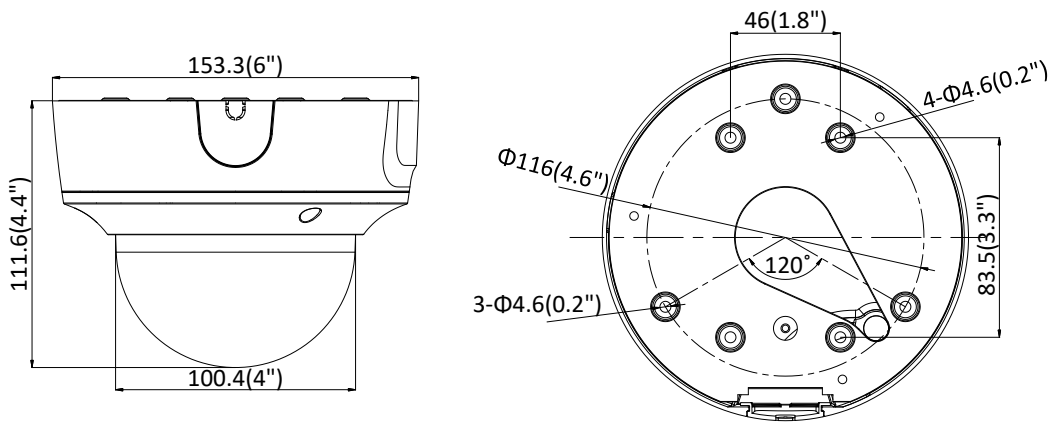
Network	
Network Storage	Support micro SD/SDHC/SDXC card (128G) local storage, NAS (NFS,SMB/CIFS), ANR
Alarm Trigger	Tampering alarm, network disconnected, IP address conflict, illegal login, HDD full, HDD error
Protocols	TCP/IP, ICMP, HTTP, HTTPS, FTP, DHCP, DNS, DDNS, RTP, RTSP, RTCP, PPPoE, NTP, UPnP, SMTP, SNMP, IGMP, 802.1X, QoS, IPv6, UDP, Bonjour
General Function	One-key reset, anti-flicker, heartbeat, mirror, password protection, privacy mask, watermark, IP address filtering
Firmware Version	V5.5.63
API	ONVIF (PROFILE S, PROFILE G), ISAPI
Simultaneous Live View	Up to 6 channels
User/Host	Up to 32 users 3 levels: Administrator, Operator and User
Client	iVMS-4200, Hik-Connect, iVMS-5200, iVMS-4500
Web Browser	Plug-in required live view: IE8+, Chrome 31.0-44, Firefox 30.0-51, Safari 8.0+ Plug-in free live view: Chrome 45.0+, Firefox 52.0+
Interface	
Communication Interface	1 RJ45 10M/100M self-adaptive Ethernet port
On-board Storage	Built-in micro SD/SDHC/SDXC slot, up to 128 GB
SVC	H.265 encoding and H.264 encoding support
Reset Button	Yes
Audio (-S)	1 audio input (line in), 1 audio output (line out), mono sound
Alarm (-S)	1 alarm input, 1 alarm output
General	
Operating Conditions	-30 °C to +60 °C (-22 °F to +140 °F), humidity 95% or less (non-condensing)
Power Supply	12 VDC ± 25%, 5.5 mm coaxial power plug PoE (802.3af, class 3)
Power Consumption and Current	12 VDC, 0.9 A, max. 11 W PoE: (802.3af, 36 VDC to 57 VDC), 0.4 A to 0.2 A, max. 12.9 W
Protection Level	IK10, IP67 (If the camera is installed outdoor, the bracket DS-1253ZJ-L should be used together with other pendant mounting bracket or wall mounting bracket to reduce IR reflective in the rainy day)
Material	Front cover: metal, bottom base: metal, bubble: plastic
Dimensions	Camera: Φ 153.3 × 111.6 mm (Φ 6" × 4.4")
Weight	Camera: 890 g (2 lb.) With package: 1300 g (2.9 lb.)

Available Model

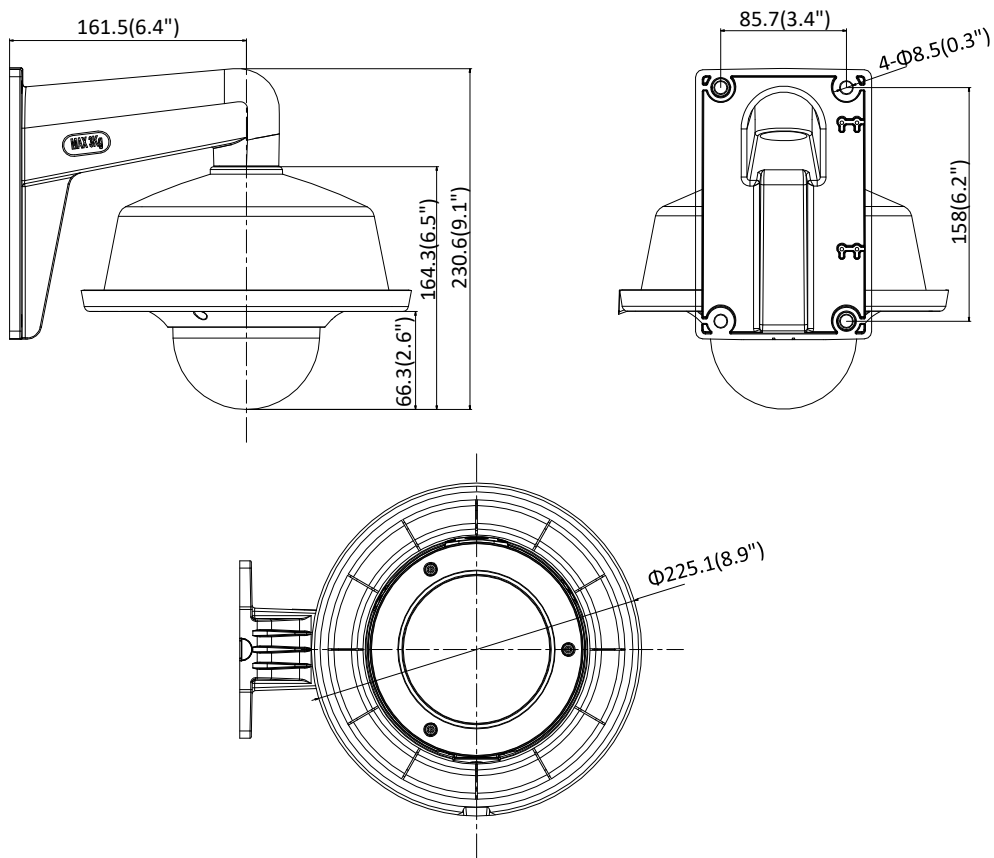
DS-2CD2726G1-IZ (2.8 mm to 12 mm), DS-2CD2726G1-IZS (2.8 mm to 12 mm)

Dimension

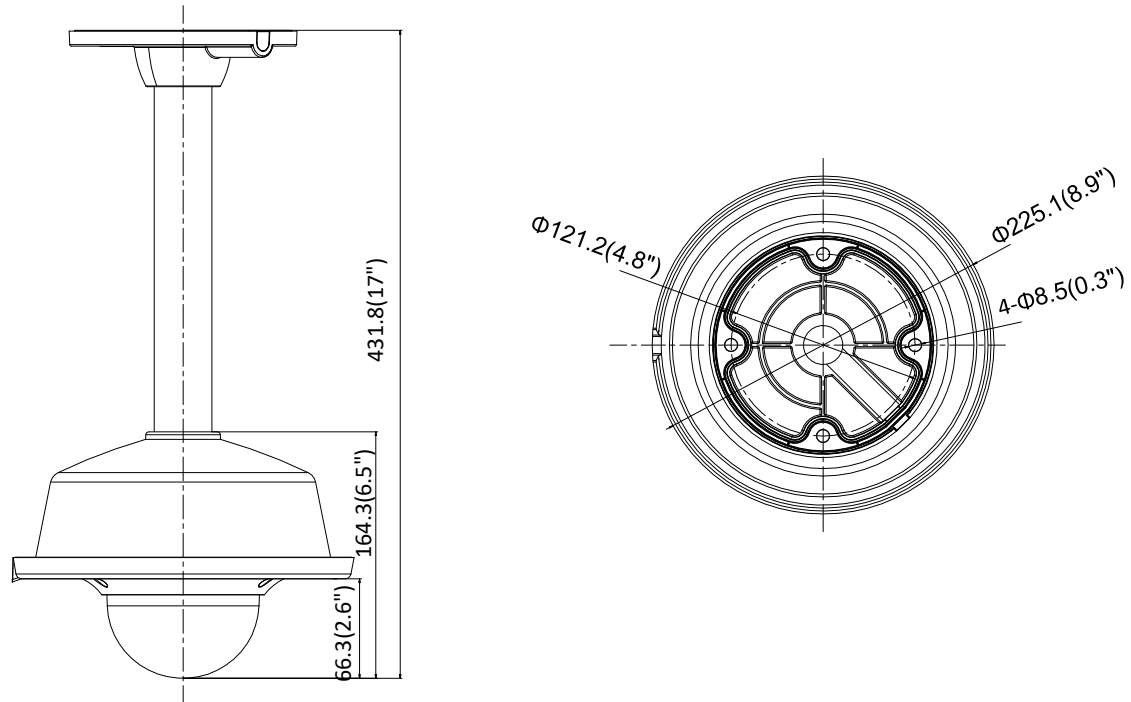
Camera:



Wall Mounting with the Bracket (DS-1473ZJ-155 and DS-1253ZJ-L):



Pendant Mounting with the Bracket (DS-1471ZJ-155 and DS-1253ZJ-L):



Unit: mm(inch)

Accessory

Distributed by



DS-1471ZJ-155
Pendant Mount

DS-1473ZJ-155
Wall Mount

DS-1475ZJ-SUS
Vertical Pole Mount

DS-1476ZJ-SUS
Corner Mount

DS-1280ZJ-DM55
Junction Box

DS-1253ZJ-L
Rain Shade

HIKVISION®

Headquarters

No.555 Qianmo Road, Binjiang District,
Hangzhou 310051, China
T +86-571-8807-5998
overseasbusiness@hikvision.com

Hikvision USA
T +1-909-895-0400
sales.usa@hikvision.com

Hikvision Australia
T +61-2-8599-4233
salesau@hikvision.com

Hikvision India
T +91-22-28469900
sales@pramahikvision.com

Hikvision Canada
T +1-866-200-6690
sales.canada@hikvision.com

Hikvision Thailand
T +662-275-9949
sales.thailand@hikvision.com

Hikvision Europe
T +31-23-5542770
sales.eu@hikvision.com

Hikvision Italy
T +39-0438-6902
info.it@hikvision.com

Hikvision Brazil
T +55 11 3318-0050
Latam.support@hikvision.com

Hikvision Turkey
T +90 [216]521 7070- 7074
sales.tr@hikvision.com

Hikvision Malaysia
T +601-7652-2413
sales.my@hikvision.com

Hikvision UK & Ireland
T +01628-902140
sales.uk@hikvision.com

Hikvision South Africa
Tel: +27 (10) 0351172
sale.africa@hikvision.com

Hikvision France
T +33(0)1-85-330-450
info.fr@hikvision.com

Hikvision Kazakhstan
T +7-727-9730667
nikia.panfilov@hikvision.ru

Hikvision Vietnam
T +84-974270888
sales.vt@hikvision.com

Hikvision UAE
T +971-4-4432090
salesme@hikvision.com

Hikvision Singapore
T +65-6684-4718
sg@hikvision.com

Hikvision Spain
T +34-91-737-16-55
info.es@hikvision.com

Hikvision Tashkent
T +99-87-1238-9438
uzb@hikvision.ru

Hikvision Hong Kong
T +852-2151-1761
info.hk@hikvision.com

Hikvision Russia
T +7-495-669-67-99
sateru@hikvision.com

Hikvision Korea
T +82-[0]31-731-8817
sales.korea@hikvision.com

Hikvision Poland
T +48-22-460-01-50
info.pl@hikvision.com

Hikvision Indonesia
T +62-21-2933759
Sales.Indonesia@hikvision.com

Hikvision Colombia
sales.colombia@hikvision.com