

## DS-2DE3204W-DE (B) 2 MP Network Mini PTZ Dome Camera



This Micro-designed 3" PTZ Mini Dome Camera shows the easiest installation, adjustment and maintenance that you have ever seen. It is a fantastic and practical camera for outdoor. In addition, DS-2DE3204W-DE (B) support 4 × optical zoom technology, PoE & 12VDC power supply. Embedded with 1/2.8" progressive scan CMOS chip makes DWDR and 2 MP real-time resolution possible. With the pan/tilt and 4 × optical zoom Day/Night lens, the camera offers more details in the outdoor environments. Hikvision DS-2DE3204W-DE (B) Mini PTZ Dome Cameras also features a wide range of functions, including intrusion detection, line crossing detection, motion detection and audio exception, benefitting users with great improvement on security efficiency, more importantly, with key events/objects being recorded for further forensic needs.

- 1/2.8" progressive scan CMOS
- Up to 1920 × 1080 resolution
- 4 × optical zoom
- DWDR
- IP66, IK10
- PoE (802.3af)
- Support RS-485
- Support plug & play



## Specifications

| Camera Module         |  |
|-----------------------|--|
| Image Sensor          | 1/2.8" progressive scan CMOS   |
| Min. Illumination     | Color: 0.05 Lux @(F1.5, AGC ON)<br>B/W:0.01 Lux @(F1.5, AGC ON)  |
| White Balance         | Auto/Manual/ATW (Auto-tracking White Balance)/Indoor/Outdoor/Fluorescent Lamp/Sodium Lamp  |
| Gain                  | Auto/Manual  |
| Shutter Time          | 1 to 1/30,000 s  |
| Day & Night           | IR Cut Filter  |
| Digital Zoom          | 16 ×   |
| Privacy Mask          | 8 programmable privacy masks   |
| Focus Mode            | Auto/Semi-automatic/Manual   |
| DWDR                  | Yes  |
| Lens                  |  |
| Focal Length          | 2.8 mm to 12 mm, 4 × optical zoom  |
| Zoom Speed            | Approx. 2 s (optical lens, wide-tele)  |
| Field of View         | Horizontal field of view: 100.5° to 32.6° (wide-tele)  |
| Aperture Range        | F1.5 to F2.7   |
| PTZ                   |  |
| Movement Range (Pan)  | 0° to 350°   |
| Pan Speed             | Configurable, from 0.1°/s to 60°/s. Preset Speed: 60°/s  |
| Movement Range (Tilt) | 0° to 90°  |
| Tilt Speed            | Configurable, from 0.1°/s to 50°/s. Preset Speed: 50°/s  |
| Presets               | 300  |
| Patrol Scan           | 8 patrols, up to 32 presets for each patrol  |
| Park Action           | Preset/Patrol Scan   |
| Scheduled Task        | Preset/Reboot/Patrol Scan/Dome Adjust/Aux output   |
| Compression Standard  |  |
| Image Compression     | H.265+/H.265/H.264+/H.264/MJPEG  |
| Audio Compression     | G.711alaw/G.711ulaw/G.726/MP2L2/PCM  |
| Smart Features        |  |
| Basic Event           | Motion Detection, Video Tampering Detection, Exception   |
| Smart Event           | Intrusion Detection, Line Crossing Detection, Audio Exception Detection  |
| ROI                   | Support 4 areas with adjustable levels   |
| Image                 |  |
| Max. Resolution       | 1920 × 1080  |
| Main Stream           | 50Hz: 25fps (1920 × 1080, 1280 × 960, 1280 × 720), 50fps (1280 × 960, 1280 × 720)<br>60Hz: 30fps (1920 × 1080, 1280 × 960, 1280 × 720), 30fps (1280 × 960, 1280 × 720) |

|                               |   |
|-------------------------------|---|
| Sub-Stream                    | 50Hz: 25fps (704 × 576, 640 × 480, 320 × 288)<br>60Hz: 30fps (704 × 480, 640 × 480, 320 × 240)  |
| Third Stream                  | 50Hz: 25fps (1920 × 1080, 1280 × 720, 704 × 576, 640 × 480, 320 × 288)<br>60Hz: 30fps (1920 × 1080, 1280 × 720, 704 × 480, 640 × 480, 320 × 240)  |
| Image Enhancement             | 3D DNR/HLC/BLC  |
| <b>Network</b>                |   |
| Network Storage               | Support up to 128GB Micro SD/SDHC/SDXC card. Support Edge recording   |
| Alarm Linkage                 | Alarm actions, such as Preset, Trigger Recording, Alarm Output, Notify Surveillance Center, Upload to FTP, Send Email   |
| Protocols                     | IPv4/IPv6, HTTP, HTTPS, 802.1X, QoS, FTP, SMTP, UPnP, SNMP, DNS, DDNS, NTP, RTSP, RTP, TCP, UDP, IGMP, ICMP, DHCP, PPPoE  |
| API                           | ONVIF (Profile S, Profile G, Profile T), ISAPI, SDK   |
| Simultaneous Live View        | Up to 20 users  |
| User/Host                     | Up to 32 users. 3 user levels, administrator, operator and user   |
| Security Measures             | User authentication (ID and PW); Host authentication (MAC address); IP address filtering  |
| Web Browser                   | IE 8 to 11, Chrome 31.0+, Firefox 30.0+, Edge 16.16299+   |
| <b>Interface</b>              |   |
| Alarm Interface               | 1-ch alarm input and 1-ch alarm output  |
| Audio Interface               | 1-ch audio input (Mic/Line in), 2.0 to 2.4V[p-p]; output impedance: 1KΩ, ±10%<br>1-ch audio output, Line level, impedance: 600Ω   |
| Network Interface             | 10Base-T / 100Base-TX, RJ45 connector   |
| RS-485                        | Half duplex, HIKVISION, Pelco-P, Pelco-D, self-adaptive   |
| <b>General</b>                |   |
| Language (Web Browser Access) | 32 languages.<br>English, Russian, Estonian, Bulgarian, Hungarian, Greek, German, Italian, Czech, Slovak, French, Polish, Dutch, Portuguese, Spanish, Romanian, Danish, Swedish, Norwegian, Finnish, Croatian, Slovenian, Serbian, Turkish, Korean, Traditional Chinese, Thai, Vietnamese, Japanese, Latvian, Lithuanian, Portuguese (Brazil) |
| Power                         | 12 VDC, Max. 8W and PoE (802.3af, class 3)  |
| Working Environment           | Temperature: -30°C to 65°C (-22°F to 149°F), humidity: ≤ 90%  |
| Protection Level              | IP66, IK10, 4000V Lightning Protection, Surge Protection, Voltage Transient Protection  |
| Certification                 | FCC, CE, UL, RoHS, IEC/EN 61000, IEC/EN 55022, IEC/EN 55024, IEC/EN 60950-1   |
| Dimension                     | Φ 140.7 mm × 107.2 mm (Φ 5.5" × 4.2")   |
| Weight                        | Approx. 0.95 kg (2.1 lb.)   |

## DORI

The DORI (detect, observe, recognize, identify) distance gives the general idea of the camera ability to distinguish persons or objects within its field of view. It is calculated based on the camera sensor specification and the criteria given by EN 62676-4: 2015.

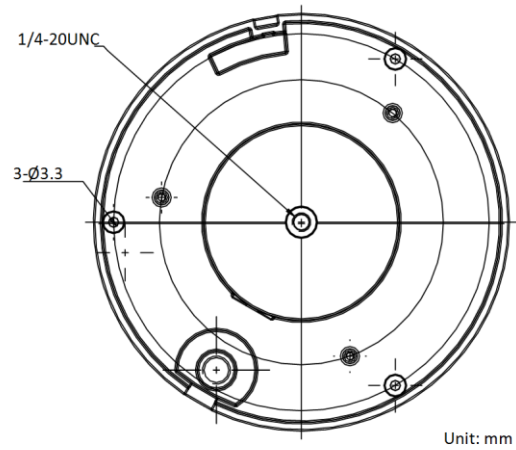
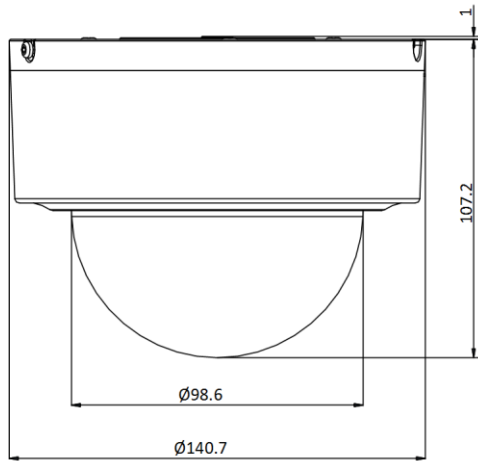
| DORI       | Detect  | Observe | Recognize | Identify |
|------------|---------|---------|-----------|----------|
| Definition | 25 px/m | 63 px/m | 125 px/m  | 250 px/m |

|                 |                    |                   |                  |                  |
|-----------------|--------------------|-------------------|------------------|------------------|
| Distance (Tele) | 130.9 m (429.5 ft) | 51.9 m (170.4 ft) | 26.2 m (85.9 ft) | 13.1 m (42.9 ft) |
|-----------------|--------------------|-------------------|------------------|------------------|

**Available Model**

DS-2DE3204W-DE (B), PoE (802.3af, class3) &12 VDC

**Dimensions**



**Accessory**

**Optional**



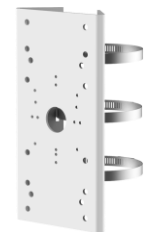
**DS-1227ZJ-PT6**  
In-ceiling Mount



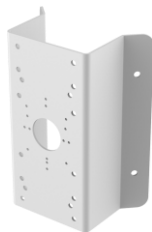
**DS-1273-ZJ-PT6**  
Wall Mount



**DS-1280ZJ-PT6**  
Junction Box



**DS-1297ZJ-ES**  
Pendant Mount  
(extendable)



**DS-1276ZJ-SUS**  
Corner Mount



**ADS-12FG-12N 12012EPG(EU)**  
**DSA-12PFT-12FUS120100(USA)**  
**DSA-12PFG-12 FUK 120100(UK)**  
**DSA-12PFT-12 FUS 120100(JP)**  
Power adapter



**LAS30-57CN-RJ45**  
Hi-PoE Midspan



**DS-1100KI**  
Network Keyboard



**DS-1005KI**  
**USB Joy-stick**

Distributed by

**HIKVISION®****Headquarters**

No.555 Qianmo Road, Binjiang District,  
Hangzhou 310051, China  
T +86-571-8807-5998  
overseasbusiness@hikvision.com

**Hikvision USA**  
T +1-909-895-0400  
sales.usa@hikvision.com

**Hikvision Australia**  
T +61-2-8599-4233  
salesau@hikvision.com

**Hikvision India**  
T +91-22-28469900  
sales@pramahikvision.com

**Hikvision Canada**  
T +1-866-200-6690  
sales.canada@hikvision.com

**Hikvision Thailand**  
T +662-275-9949  
sales.thailand@hikvision.com

**Hikvision Europe**  
T +31-23-5542770  
sales.eu@hikvision.com

**Hikvision Italy**  
T +39-0438-6902  
info.it@hikvision.com

**Hikvision Brazil**  
T +55 11 3318-0050  
Latam.support@hikvision.com

**Hikvision Turkey**  
T +90 (216)521 7070- 7074  
sales.tr@hikvision.com

**Hikvision Malaysia**  
T +601-7652-2413  
sales.my@hikvision.com

**Hikvision UK & Ireland**  
T +01628-902140  
sales.uk@hikvision.com

**Hikvision South Africa**  
Tel: +27 (10) 0351172  
sale.africa@hikvision.com

**Hikvision France**  
T +33(0)1-85-330-450  
info.fr@hikvision.com

**Hikvision Kazakhstan**  
T +7-727-9730667  
nikia.panfilov@hikvision.ru

**Hikvision Vietnam**  
T +84-974270888  
sales.vt@hikvision.com

**Hikvision UAE**  
T +971-4-4432090  
salesme@hikvision.com

**Hikvision Singapore**  
T +65-6684-4718  
sg@hikvision.com

**Hikvision Spain**  
T +34-91-737-16-55  
info.es@hikvision.com

**Hikvision Tashkent**  
T +99-87-1238-9438  
uzb@hikvision.ru

**Hikvision Hong Kong**  
T +852-2151-1761  
info.hk@hikvision.com

**Hikvision Russia**  
T +7-495-669-67-99  
sateru@hikvision.com

**Hikvision Korea**  
T +82-(0)31-731-8817  
sales.korea@hikvision.com

**Hikvision Poland**  
T +48-22-460-01-50  
info.pl@hikvision.com

**Hikvision Indonesia**  
T +62-21-2933759  
Sales.Indonesia@hikvision.com

**Hikvision Colombia**  
sales.colombia@hikvision.com