

## DS-D6032TL-B

### Indoor Wall-Mounted Digital Signage

The digital signage is used to broadcast information, release news, advertise products, etc., which is widely applicable to industry of entertainment, finance, traffic, etc.



### Feature and Function

- **Metallic Appearance**

Light weight body with integrative design. The front high-transmittance tempered glass provides reliable protection.

- **Exquisite Image**

Industrial A+ interface, auto-coloring and image-enhancing engine.

- **Variable Materials**

Static and dynamic materials, including pictures, audio, video, scrolling subtitle, PDF, webpage, live video, number calling, pop-up pictures, etc.

- **Flexible Program Schedule**

- Free schedule and district display of multiple materials.
- Multiple play modes with customization support.

- **Centralized Management**

- Remotely control and manage one or more screens, such as timed startup/shutdown, quick startup/shutdown, brightness/volume timed adjustment, and screenshot preview.
- Remote program release and local (USB) program update.

- **Organization Permission**

- 5-level organization available for managing materials, programs, terminals, and users.
- Create custom user with precise permission assignment. Multiple permission templates available.

- **Multiple Security Safeguards**

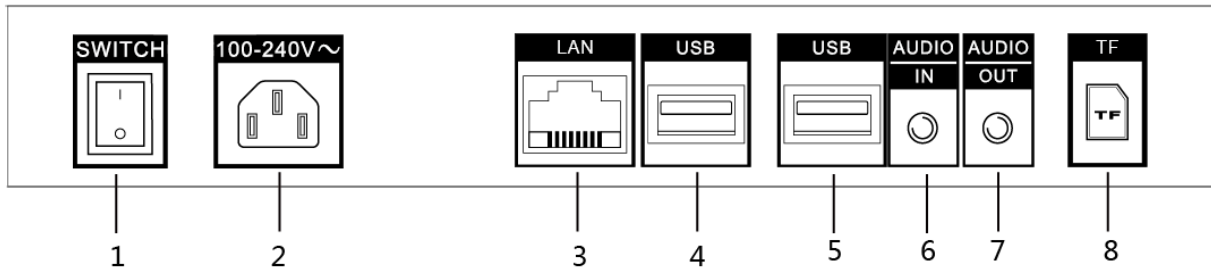
- 3-level check of materials, programs, and schedules to prevent mistake release. Screensaver password to protect displaying.
- Encryption of data storage and transmission to avoid data tampering.
- With no default password, users can activate and set initial password to guarantee the password safety.



## Specification

Model		DS-D6032TL-B
Display	Screen size	31.51 inch
	Active display area	698.4 (H) × 392.85 (V) mm (27.50 × 15.47 inch)
	Backlight	LED backlight
	Pixel pitch	0.121 (H) × 0.364(V) mm
	Resolution	1920 × 1080@60 Hz
	Brightness	350 cd/m <sup>2</sup>
	Viewing angle	Horizontal: 178°, Vertical: 178°
	Color depth	8 bit
	Contrast ratio	≥ 1200 : 1
	Response time	≤ 8 ms
	Refresh rate	60 Hz
	Color gamut	75% NTSC
Built-in system	Operating system	Android 6.0.1
	Processor	Cortex-A17, 4-core, 1.8 GHz
	Memory	2 GB
	Built-in storage	8 GB EMMC, TF 32 GB, Max. 128 GB
Touch	Type	Infrared touch screen
	Glass	3 mm tempered glass, transmittance ≥ 88%
	Touch point	10 point multi-touch
Interface	Video & audio input	1 × AUDIO IN
	Video & audio output	1 × AUDIO OUT
		2 × built-in speaker, 8 Ω 5 W
	Network interface	1 × LAN, Wi-Fi 2.4 G
General	Data transmission interface	2 × USB 2.0, 1 × TF Card Note: The USB interface only supports for low power equipment, such as the keyboard or mouse.
	Material type	DAT, MPG, VOB, TS, AVI, MKV, MP4, MOV, 3GP, TS, FLV, WEBM, ASF, MP1, MP2, MP3, WMA, WAV, OGG, OGA, FLAC, ACC, M4A, XMF, MXMF, RTTTL, RTX, OTA, IMY, JPG, JPEG, BMP, GIF, PNG
	Power supply	100 to 240 VAC, 50/60 ± 3 Hz
	Power consumption	≤ 60 W
	Standby consumption	≤ 10 W
	Working temperature	0 °C to 40 °C (32 °F to 104 °F)
	Working humidity	10% to 80% RH
	Storage temperature	-20 °C to 60 °C (-4 °F to 104 °F)
	Storage humidity	10% to 80% RH
	Product dimensions	764.46(W) × 459.06(H) × 59.8(D) mm (30.10 × 18.07 × 2.35 inch) (without wall-mounted backboard)
		764.46(W) × 459.06(H) × 75.1(D) mm (30.10 × 18.07 × 2.96 inch) (with wall-mounted backboard)
	Package dimensions	904(W) × 643(H) × 210(D) mm (35.59 × 25.31 × 8.27 inch)
	Net weight	15.5 kg (34.17 lb.)
	Gross weight	16.5 kg (36.38 lb.)
Accessory	Power cord, User manual, LOGO	

## Physical Interface



No.	Interface	Description	No.	Interface	Description
1	SWITCH	Power switch	2	100-240V~	Power interface
3	LAN	Network interface	4	USB	USB 2.0 interface
5	USB	USB 2.0 interface	6	AUDIO IN	Audio input
7	AUDIO OUT	Audio output	8	TF	TF card slot

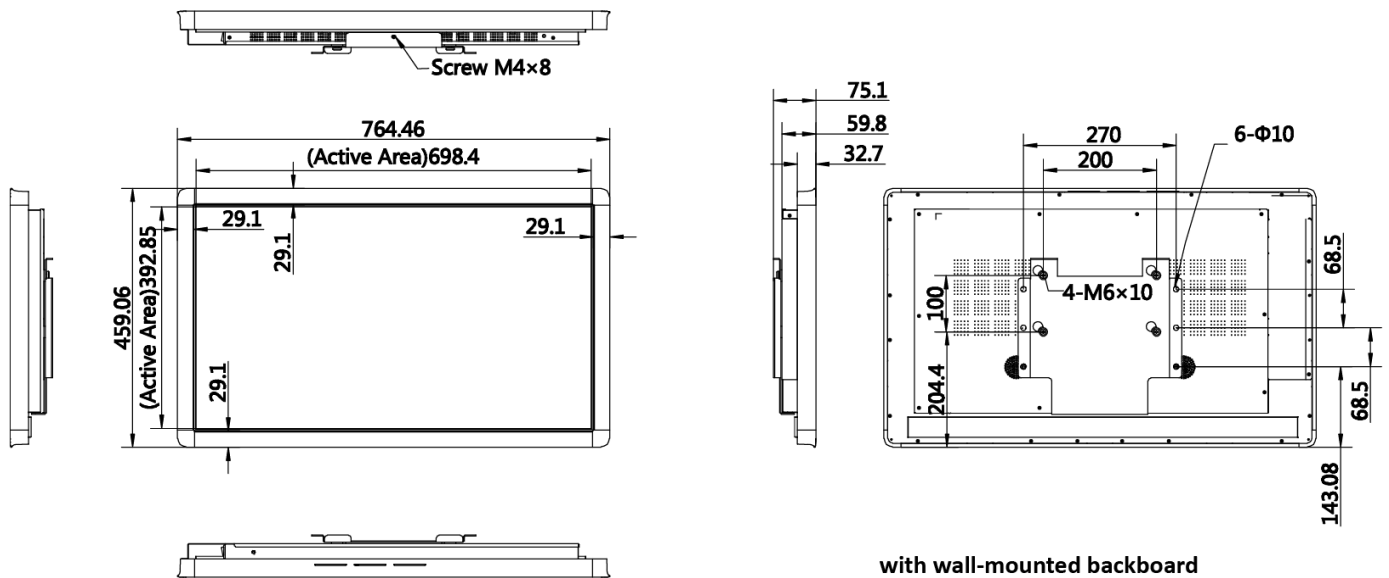
## Accessory Device

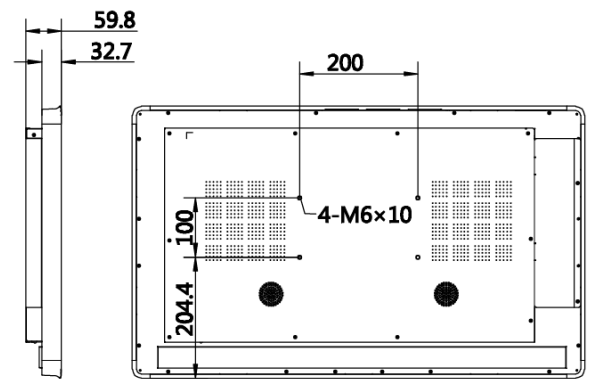
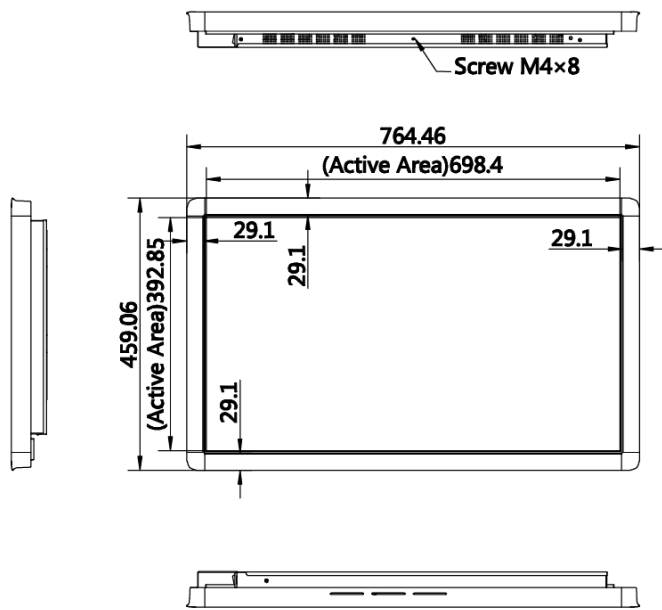
Model	Material Code	Description	Picture
DS-D60S-B	302501753	Information release management server (integration of software and hardware)	

## Available Model

DS-D6032TL-B

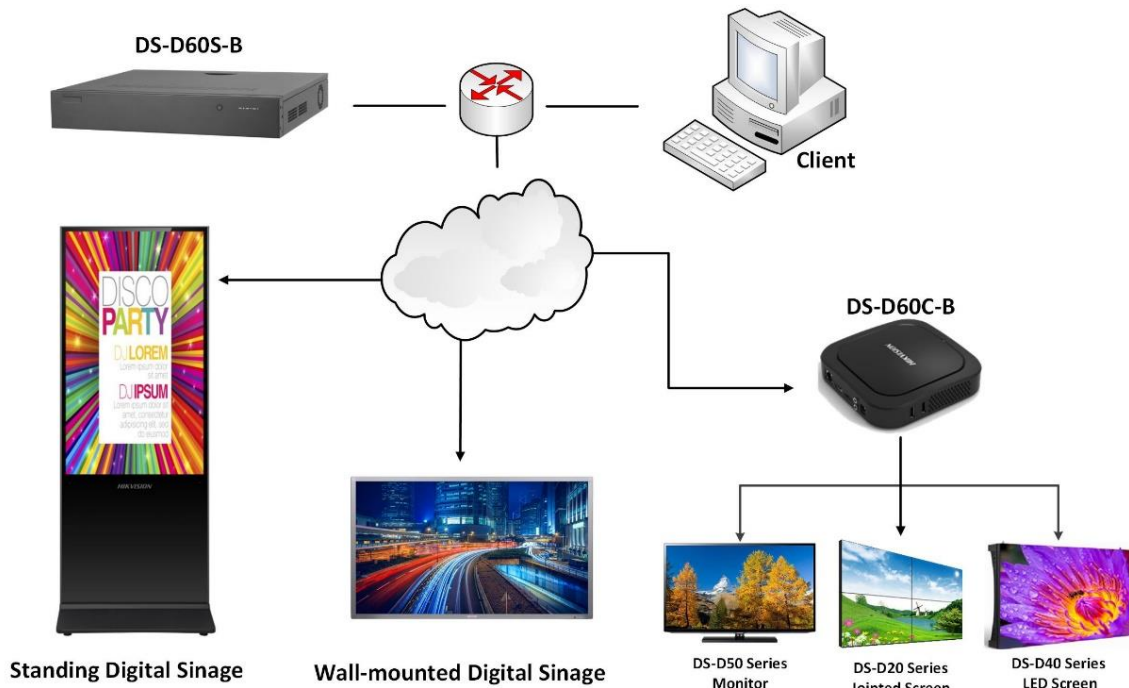
## Dimension (unit: mm)





without wall-mounted backboard

## Typical Application



Distributed by



## HIKVISION®

### Headquarters

No.555 Qianmo Road, Binjiang District,  
Hangzhou 310051, China  
T +86-571-8807-5998  
overseasbusiness@hikvision.com

**Hikvision USA**  
T +1-909-895-0400  
sales.usa@hikvision.com

**Hikvision Australia**  
T +61-2-8599-4233  
salesau@hikvision.com

**Hikvision India**  
T +91-22-28469900  
sales@pramahikvision.com

**Hikvision Canada**  
T +1-866-200-6690  
sales.canada@hikvision.com

**Hikvision Thailand**  
T +662-275-9949  
sales.thailand@hikvision.com

**Hikvision Europe**  
T +31-23-5542770  
sales.eu@hikvision.com

**Hikvision Italy**  
T +39-0438-6902  
info.it@hikvision.com

**Hikvision Brazil**  
T +55 11 3318-0050  
Latam.support@hikvision.com

**Hikvision Turkey**  
T +90 (216)521 7070- 7074  
sales.tr@hikvision.com

**Hikvision Malaysia**  
T +601-7652-2413  
sales.my@hikvision.com

**Hikvision UK & Ireland**  
T +01628-902140  
sales.uk@hikvision.com

**Hikvision South Africa**  
T +27 (10) 0351172  
sale.africa@hikvision.com

**Hikvision France**  
T +33(0)1-85-330-450  
info.fr@hikvision.com

**Hikvision Kazakhstan**  
T +7-727-9730667  
nikia.panfilov@hikvision.ru

**Hikvision Vietnam**  
T +84-974270888  
sales.vt@hikvision.com

**Hikvision UAE**  
T +971-4-4432090  
salesme@hikvision.com

**Hikvision Singapore**  
T +65-6684-4718  
sg@hikvision.com

**Hikvision Spain**  
T +34-91-737-16-55  
info.es@hikvision.com

**Hikvision Tashkent**  
T +99-87-1238-9438  
uzb@hikvision.ru

**Hikvision Hong Kong**  
T +852-2151-1761  
info.hk@hikvision.com

**Hikvision Russia**  
T +7-495-669-67-99  
saleru@hikvision.com

**Hikvision Korea**  
T +82-(0)31-731-8817  
sales.korea@hikvision.com

**Hikvision Poland**  
T +48-22-460-01-50  
info.pl@hikvision.com

**Hikvision Indonesia**  
T +62-21-2933759  
Sales.Indonesia@hikvision.com

**Hikvision Colombia**  
sales.colombia@hikvision.com